

P-Dot



High precision micro dispensing –
Stable, accurate, fast and easy

High accuracy Jet-valve: for contactless dispensing of medium to high viscosity fluids and pastes. Dispensing frequencies of up to 150 Hz allow to reduce cycle times and increase output and productivity. Robust construction for safe and stable production processes.

Dispensing advantages

- High repeatability
- High accuracy
- Volumetrically controlled
- Smallest volumes accessible
- High speed
- Easy to use and maintain
- Low voltage
- Normally closed (NC)
- Optimized dead volume
- Resistant to chemicals (acids, alkalis, etc.)

Typical dispensed products

Oil, grease, glue, silicon, paint, flux, medical products, and many other chemicals. (Filled products included)

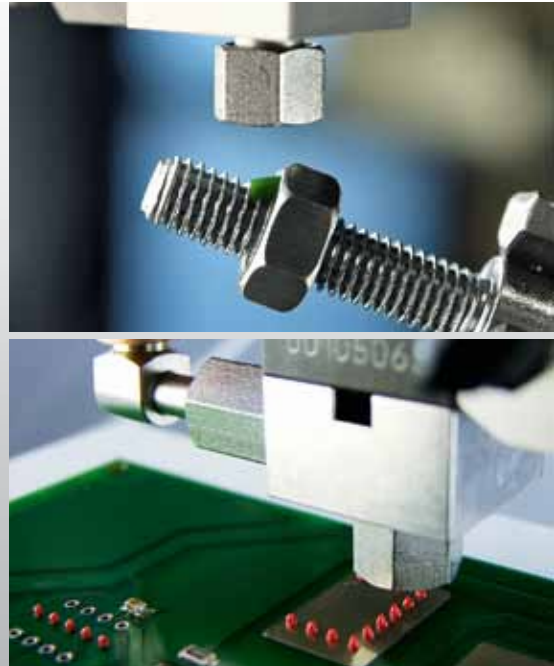
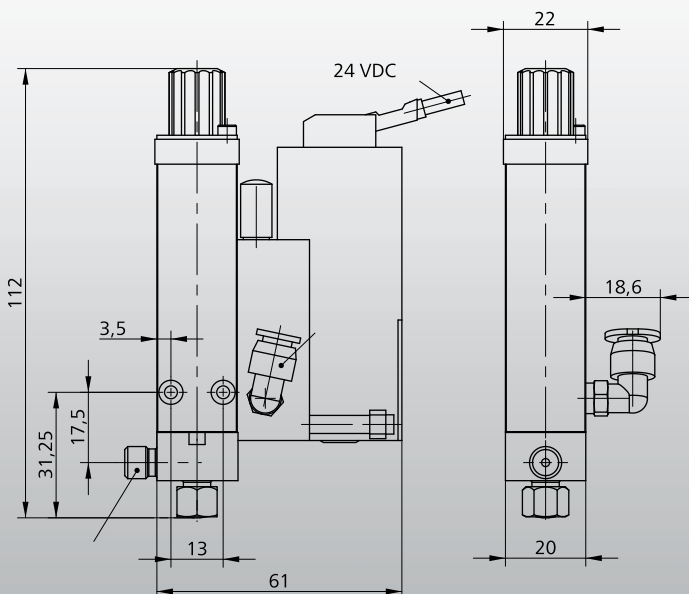
Main industries

Electronic, solar, automobile, packaging, furniture, medical, cosmetic, food, special machines

Highlight

3D contactless dispensing





P-Dot



Contactless dispensing – New, safe and easy

The P-Dot valve can dispense dots, beads and lines of medium to high viscous chemicals, as well as filled products. The general size of the dispensing droplets is adjustable from 0,3 mm to 5 mm in diameter. The dispensing distance (distance of the tip of the valve to the part) is also adjustable from 2 to 10 mm.

Even process issues – due to parts and/or fixture tolerances – can be solved by using the contactless dispensing technology.

Function: the electro pneumatic amplifier triggers the valve within 1 ms and automatically closes the valve after each dispensing cycle. The valve is closed when idle (NC).

Technical specifications

Initial position: NC (normally closed)

Shot size: 3 – 200 nl

Viscosity range: 50 – 200.000 mPas (thixotrop)

Accuracy: > 99% (dispensing tolerance < 1 %)

Frequency: Up to 150 shot/sec (Hz)

Fluid pressure: 0,2 to 6 bar (up to 100 bar)

Operating medium: Cleaned compressed air, oil-free, filtered (filter unit 40 µm)

Operating pressure: 2 to 8 bar

Switching time: < 1 ms

Electrical input: 24 V, PLC compatible

Service life: > 100 000 000 cycles

Weight: 270 g

Ambient temperature: -5 to +40 °C

Actuator: Electropneumatic

Construction: Robust industrial design, class II equipment, splash water protected after IP 65