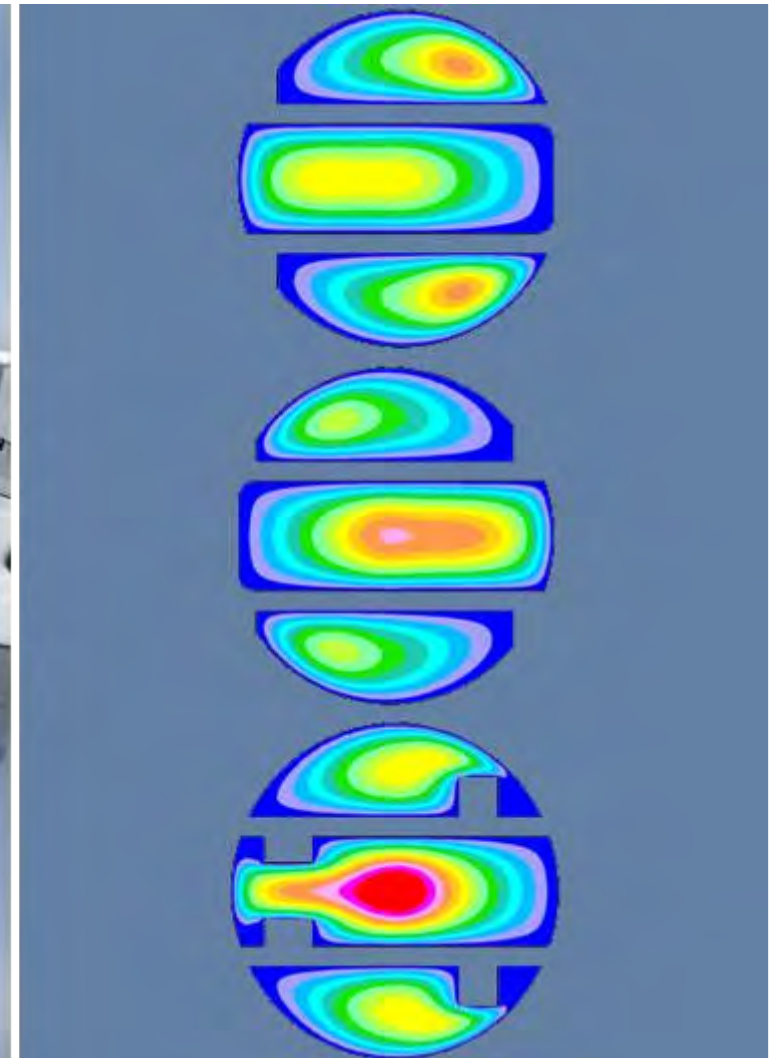


## Product Portfolio Industry & Construction - ADM 04-2011

Roman Thönig, Head of Business Segment Industry



## Q - System Cartridge – Coaxial

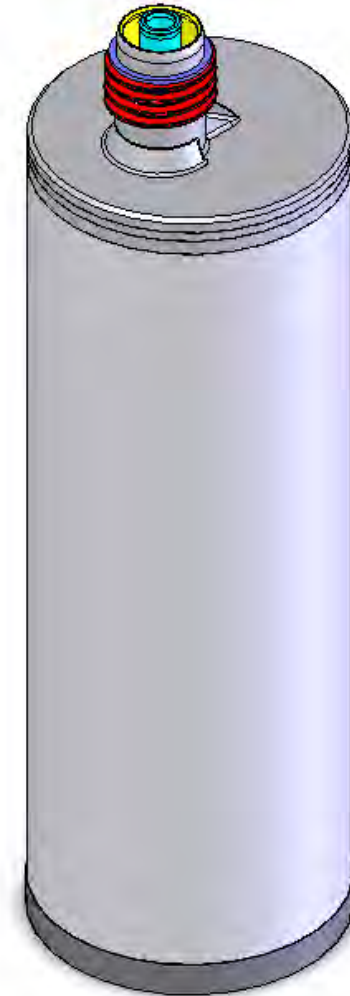
---

### Features

- Industrial Standard Connection
- Coaxial outlet
- Fits in all common coaxial dispenser
- Solid, Weld-able or Valve pistons
- Quadro valve piston
  - Easy to install
  - Excellent stability
- Can be either nose or back filled
- Available in PP & PA6
- Manual plunger for 75ml & 150ml available
- preassembled with cap

### Sizes:

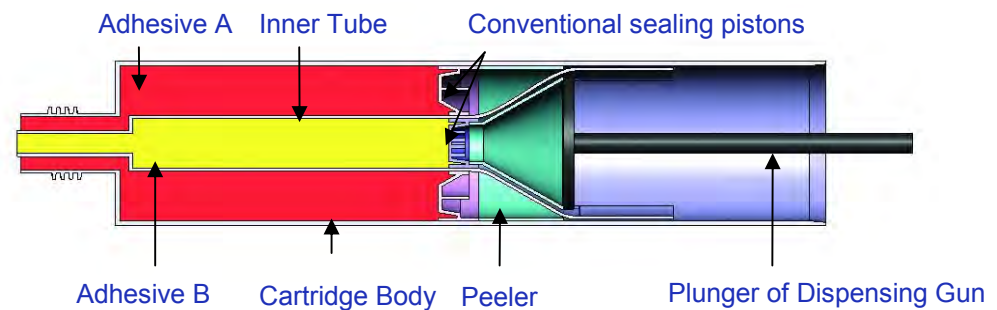
- 75ml 10:1
- 150ml 1:1
- 150ml 10:1
- 310ml 10:1
- 380ml 10:1



## Q - System Cartridge - Peeler

### Features

- Standard C Style Connection with screw cap or with retaining nut  
UM-15-PP available
- Fits in all common caulking guns
- Solid or Weld-able pistons
- Can be nose or back filled
- 265ml Capacity for 1:1 and 2:1
- 280ml Capacity for 10:1
- Available in PP only
- minimum waste volume
- minimum pressure resistance

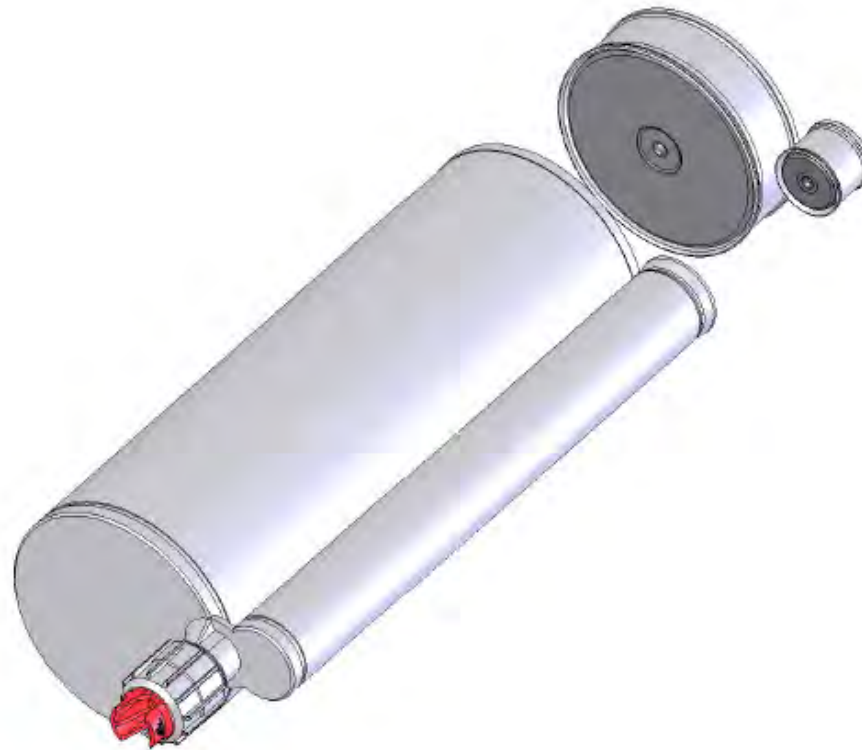


## C „Q“ - System Cartridge – 350ml 10:1 SbS

---

### Features

- Industrial Standard C Style Connection
- 345ml capacity
- Self bleeding Quadro piston
  - Easy to install
  - Excellent stability
- Available in PP & PA6
- Available with both Side by Side outlet or Concentric Outlet.
- preassembled with nose plug and retaining nut

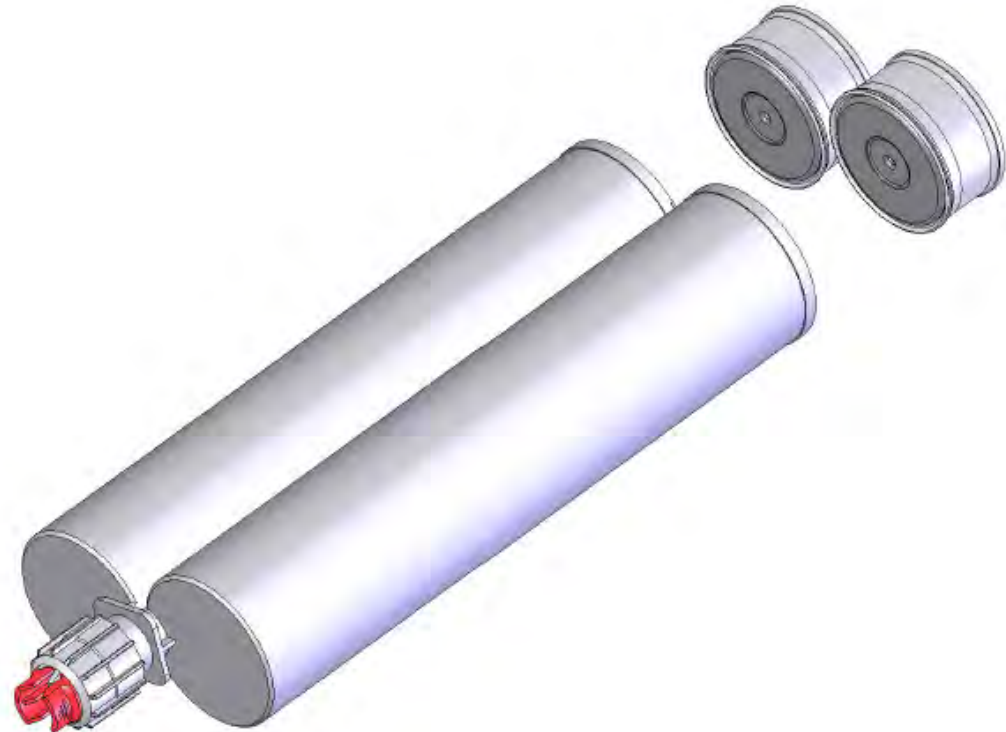


## C „Q“ - Style Cartridge System – 600ml 1:1

---

### Features

- Industrial Standard Connection
- Large 600ml capacity
- Fits in all common dispenser
- Self bleeding Quadro piston
  - Easy to install
  - Excellent stability
- Available in PP & PA6
- preassembled with nose plug and retaining nut

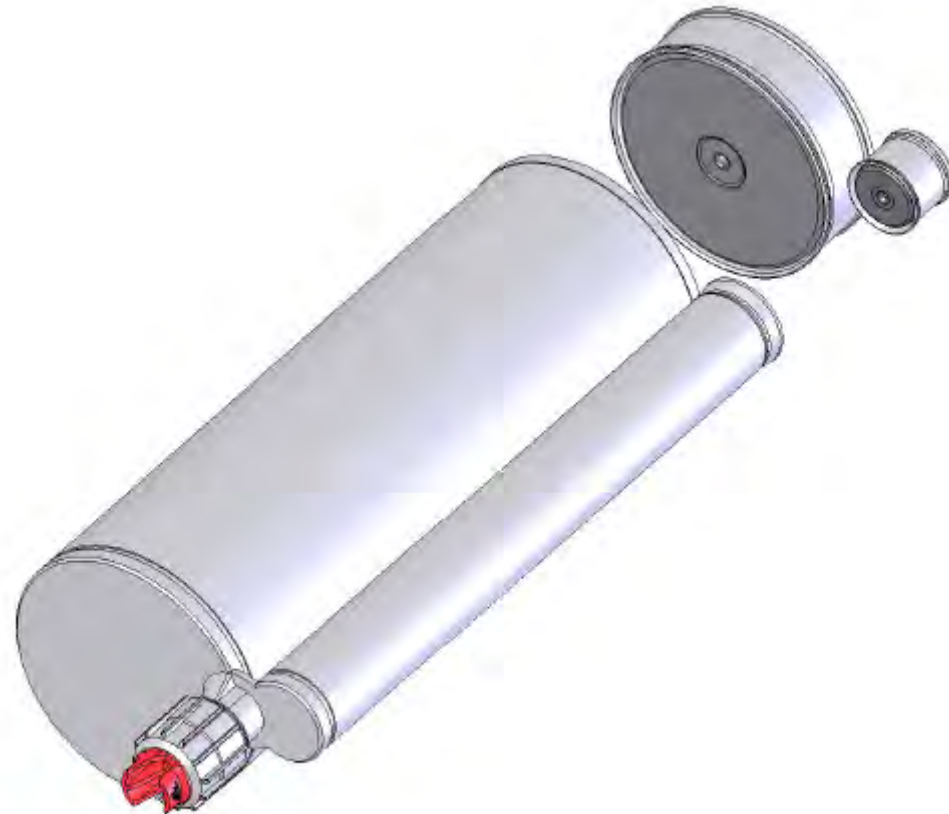


## J „Q“ - Style Cartridge System – 825ml 10:1

---

### Features

- Industrial Standard C Style Connection
- Large 825ml capacity
- Self bleeding Quadro piston
  - Easy to install
  - Excellent stability
- Available in PP & PA6
- Available with both Side by Side outlet or Concentric Outlet.
- preassembled with nose plug and retaining nut



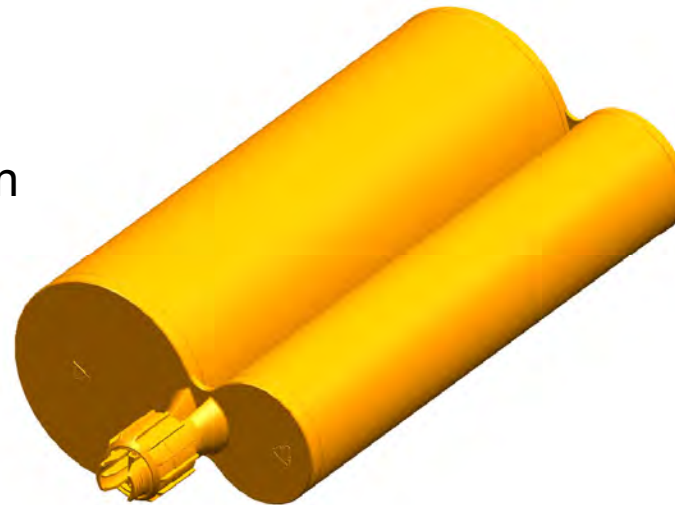


## J „Q“ - Style Cartridge System – 1000ml 3:1

---

### Features

- Industrial Standard C Style Connection
- Large 1000ml capacity
- Self bleeding Q System Piston
  - Easy to install
  - Excellent stability
- Available in PA6
- preassembled with nose plug and retaining nut



Large Piston



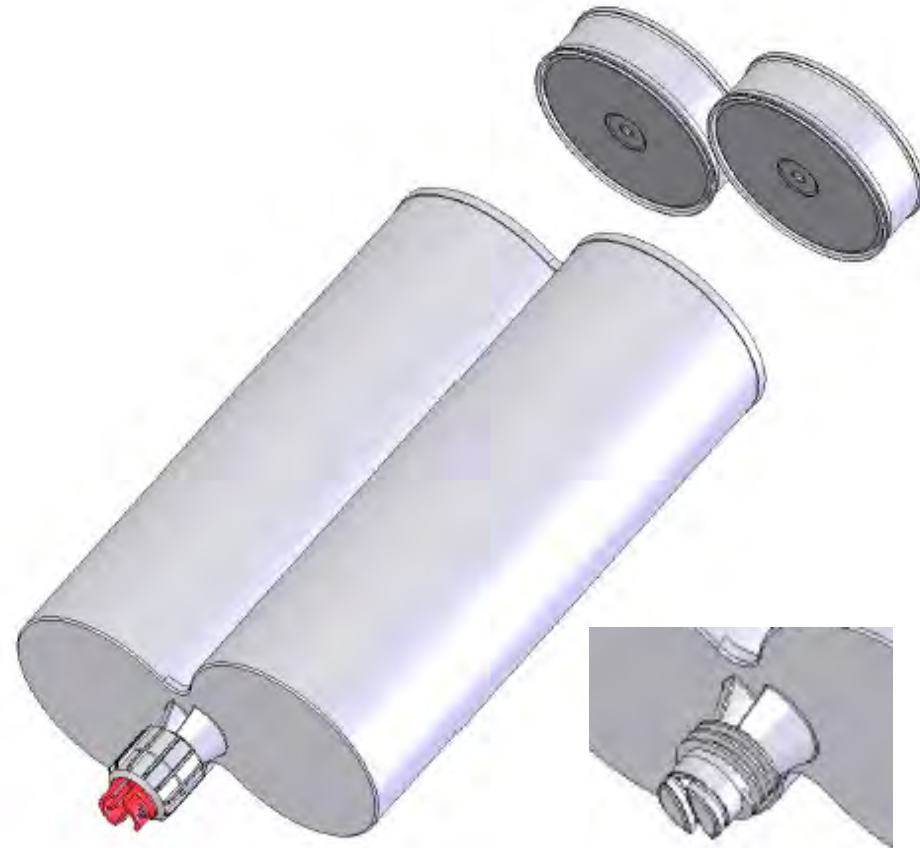
Small Piston

## J „Q“ - Style Cartridge System – 1500ml 1:1

---

### Features







- Industrial Standard Connection
- Large 1500ml capacity
- Self bleeding Q System piston
  - Easy to install
  - Excellent stability
- Available in PP & PA6
- Available with both Side by Side open outlet or cut off tip outlet.
- preassembled with nose plug and retaining nut
- Available with 7/8 – 9 or 7/8 -14 threads





# Mixers & Accessories for Chemical Anchoring



<b>MGQ 10.0-10-A-22</b>	301.490	Mixer 10.0/10SA short	
<b>MGQ 10.0-10-A-23</b>	301.587	Mixer 10.0/10SA long	
<b>MGQ 10.7-16-A</b>	300.412	Mixer 10.7/16SA	
<b>MGQ 10.7-16-A-24</b>	300.413	Mixer 10.7/16SA with clip	
<b>MGQ 10.7-19-A</b>	300.408	Mixer 10.7/19SA	
<b>MGQ 10.7-19-A-24</b>	300.411	Mixer 10.7/19SA with clip	

**Remarks:**

- Special feature: stretched super Quadro element for low pressure drop
- Clip is not possible for the 10.0/10 mixers
- Any other Quadro or helical mixer (MCQ or MGQ) can be used for C, J & Q cartridges (see data sheets)