



product data sheet

# ViscoDuo-S mobile

## description



This compact, mobile version is highly suitable for the casting of low to high-viscosity materials. Both components are poured into separate tanks. The tanks are designed for pressurized as well as vacuum operations. Material is statically fed to two dosing pumps and then dosed through separate hose lines (approx. 3 m length) into the 2-component mixing head.

The valve mixing head is equipped with a handle and start button, allowing the dispenser tip to be held directly above the component part and the dosing process to be started.

The required mixing ratio is set via the speed ratio of the two dispensers and can be variably programmed within a wide range. Dosing output is determined by the total amount of dosing quantities from both dispensers and can also be adjusted during the dosing process to meet technological requirements.

## application

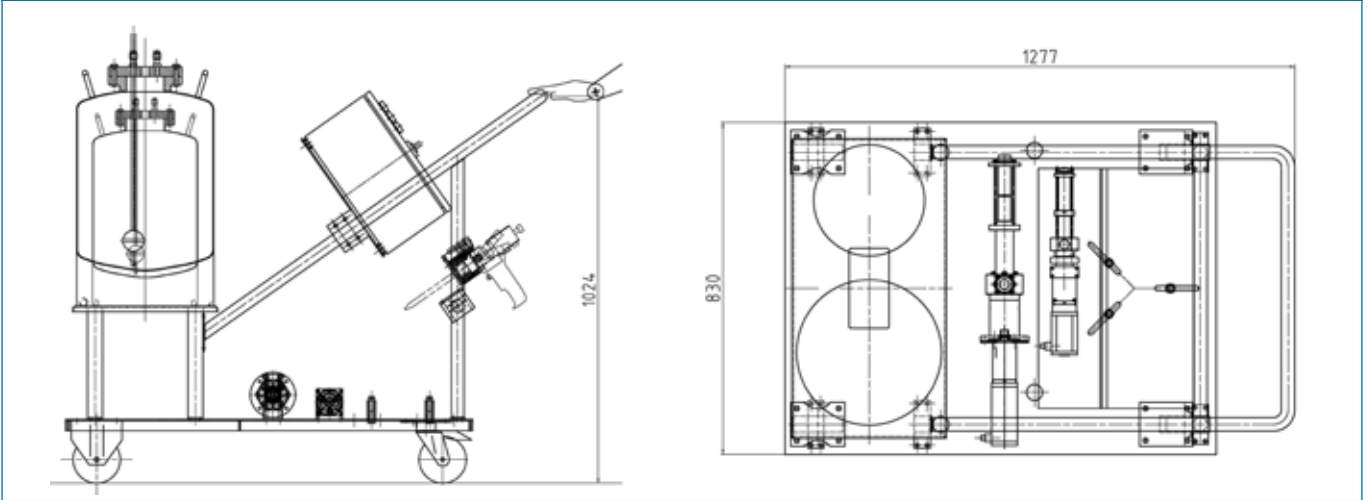
- static mixing of two components with same or different viscosities
- mainly used for casting, but dot or bead applications are also possible
- suitable for 2-component adhesive systems based on: epoxy resin (EP), polyurethane (PU), silicone (Si)
- mixing of two colours

## technical data

dimensions (wxdxh)	~ 1300x830x1200 mm
weight	~ 250 kg
supply (input) pressure at dispenser	~ 0.1 to 6 bar*
mixing ratio	max. 5:1
viscosity of dosing materials	for self-fluent and self-levelling materials only

\*depends on material

## drawing



## examples of use

